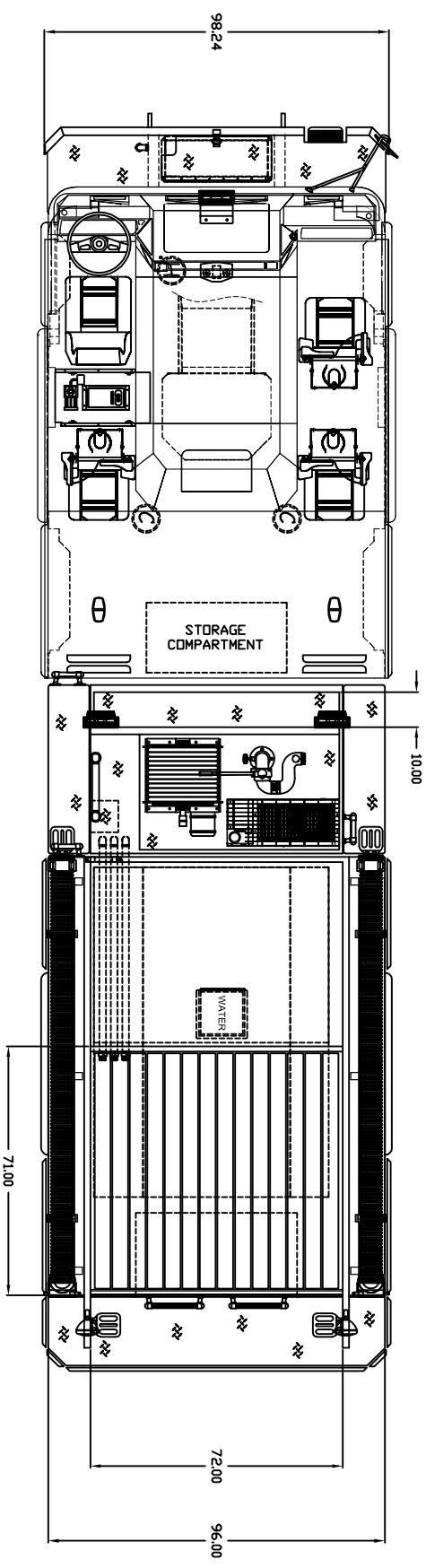


**COMPARTMENTS**

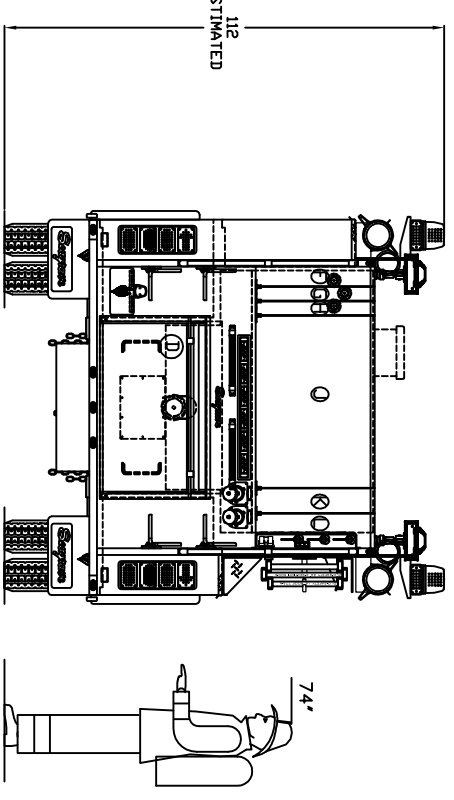
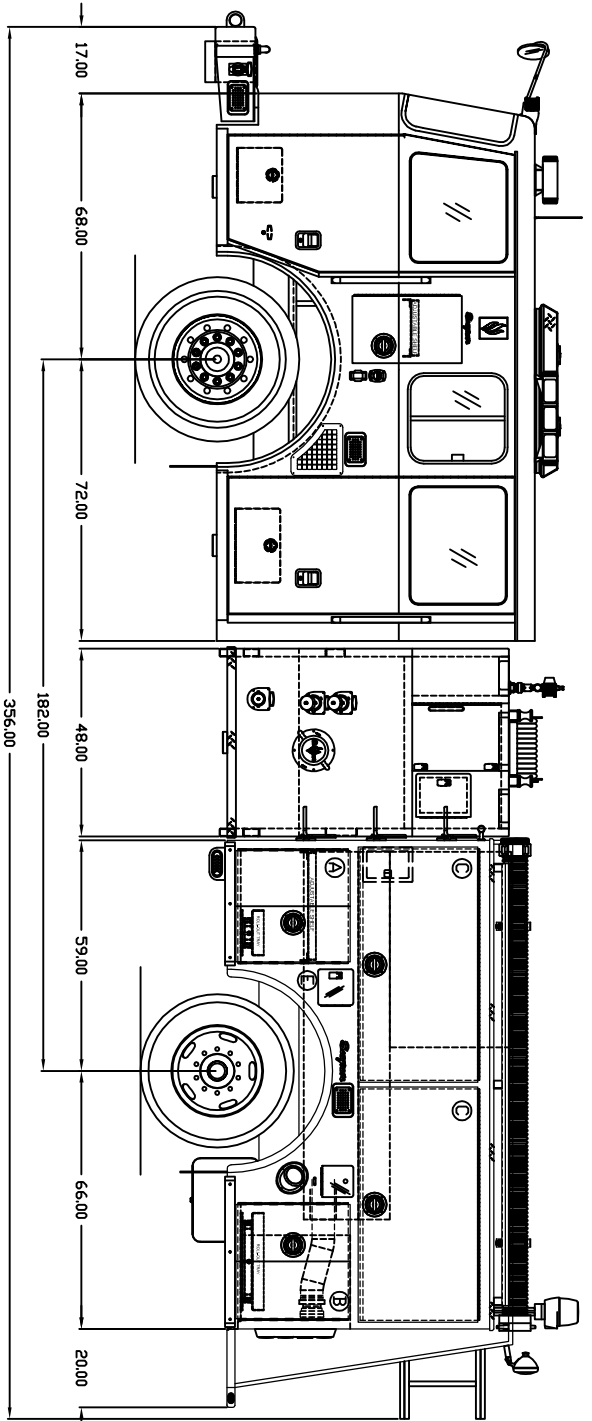
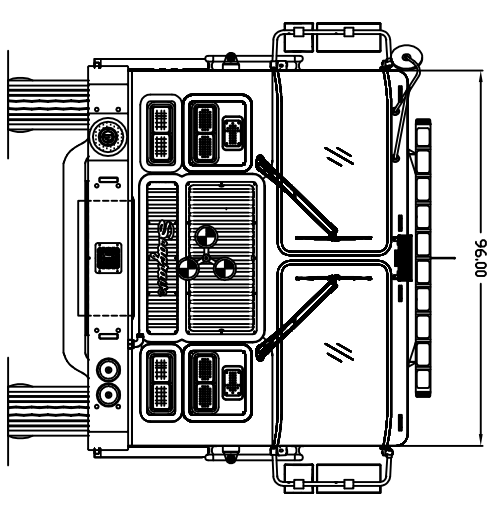
Ⓐ	TWO	31.50 WIDE	28.25 HIGH	23.75 DEEP
Ⓑ	TWO	31.00 WIDE	28.25 HIGH	23.75 DEEP
Ⓒ	ONE	125.00 WIDE	33.38 HIGH	10.75 DEEP
Ⓓ	ONE	46.00 WIDE	28.00 HIGH	24.00 DEEP
Ⓔ	THREE	<6-BOTTLES TOTAL>		



**HOSE BED CAPACITY**

AMOUNT OF HOSE	WIDTH	HEIGHT
Ⓕ 200 FT. 1 3/4"	4.00	30.00
Ⓖ 200 FT. 1 3/4"	4.00	30.00
Ⓗ 200 FT. 1 3/4"	4.00	30.00
Ⓘ 1200 FT. 5"	44.00	30.00
Ⓚ 200 FT. 2 1/2"	6.00	30.00
Ⓛ 200 FT. 2 1/2"	6.00	30.00

**JUD-SAFETY LADDERS**  
 24 FT. 2 SEC. #900A  
 12 FT. ROOF #775A  
 10 FT. FOLDING #585-A  
 6 FT. PIKE POLE (FIBERGLASS)  
 8 FT. PIKE POLE (FIBERGLASS)



**APPROVED:**

UPDATE #2	01 MAY 07	R.L.
CHANGE #A	20 MAR 07	R.L.
UPDATE #1	06 FEB 07	R.L.

BY: \_\_\_\_\_  
 DATE: \_\_\_\_\_

NOTE: DIMENSIONS SHOWN ARE APPROX. & SUBJECT TO MINOR DEVIATIONS AS MAY OCCUR OR BE NECESSARY IN CONSTRUCTION. THE INDICATED VEHICLE HEIGHT REPRESENTS A CALCULATED DIMENSION. THE ACTUAL HEIGHT OF THE UNIT AS SHIPPED FROM THE FACTORY MAY VARY. THE HOSE CAPACITY IS A CALCULATED AMOUNT. THE ACTUAL CAPACITY MAY VARY DEPENDENT UPON THE STYLE AND VENDOR OF THE HOSE. MINOR DETAILS NOT SHOWN WHERE THERE MAY BE NONCONFORMITY BETWEEN THE ILLUSTRATION AND THE SALES ORDER. THE ORIGINAL SALES ORDER & ALL APPROVED SALES CHANGES WILL PREVAIL.

MODEL TB 50 DA FOR		SALES ORDER 78E20	
BEDFORD FIRE DEPARTMENT		BEDFORD, VIRGINIA	
CAB	MRDR II / 130	FRT. AXLE	#MFS
ENGINE	SERIES 60 475 HP	REAR AXLE	#RS-25-160
PUMP	WATERIOUS 1500	FUEL	50 GAL.
BDDY MATL	MED. S/S	WATER	750 GAL "L"
AERIAL	N/A	FOAM	N/A

**Scagnum**  
 135th Ave  
 Shees 1881  
 Greenville WI 54925

Scagnum Fire Apparatus, LLC  
 106 E 12th St  
 Shees 1881  
 Greenville WI 54925

CUSTOMER APPROVED: \_\_\_\_\_

DRAWN BY: R.J.L.  
 DATE: 1/11/07  
 SCALE: 1/2"=1 FT  
 NO. 13847