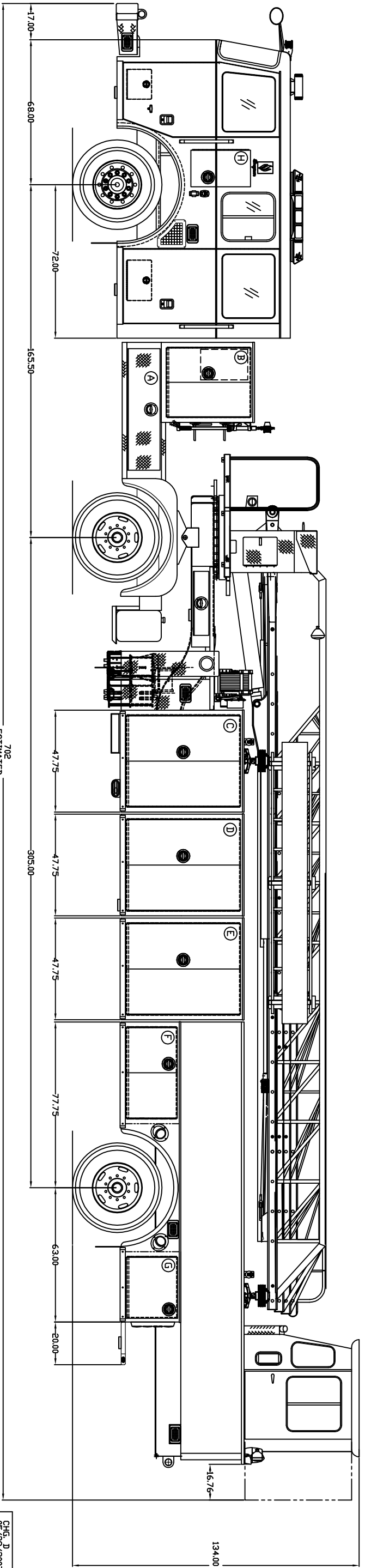
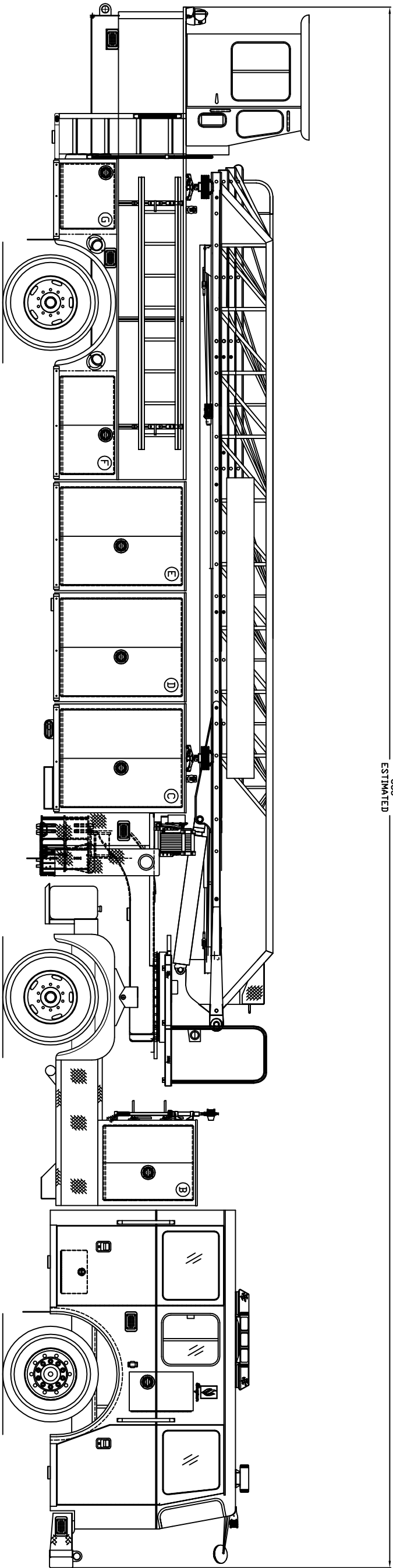


685
ESTIMATED



702
ESTIMATED

NOTEDIMENSIONS SHOWN ARE APPROX. & SUBJECT TO MINOR DEVIATIONS AS MAY OCCUR OR BE NECESSARY IN CONSTRUCTION. THE INDICATED VEHICLE HEIGHT REPRESENTS A CALCULATED DIMENSION. THE ACTUAL HEIGHT OF THE UNIT AS SHIPPED FROM THE FACTORY MAY VARY. THE HOSE CAPACITY IS A CALCULATED AMOUNT. THE ACTUAL CAPACITY MAY VARY DEPENDENT UPON THE STYLE AND VENDOR OF THE HOSE. MINOR DETAILS NOT SHOWN WHERE THERE MAY BE NONCONFORMITY BETWEEN THE ILLUSTRATION AND THE SALES ORDER THE ORIGINAL SALES ORDER & ALL APPROVED SALES CHANGES WILL PREVAIL.

MODEL TT 06 DA FDR
BEDFORD FIRE DEPARTMENT
BEDFORD, VIRGINIA

SALES ORDER 76379

CAB	MRDR II M72	FRT. AXLE	#MF'S
ENGINE	SERIES 60 515	R/A TILLER	#RS-25-160
PUMP	N/A	FUEL	50 GAL.
BODY MATL	TDA S/S	WATER	N/A
AERIAL	100' 250#	FOAM	N/A

Scagnum
125th Anniversary Since 1881
Scagnum Fire Apparatus, LLC
105 E. 12th St
Clintonville, WI 54929

CUSTOMER APPROVED: 02/20/2007
DATE: 16 FEB 07
SCALE 1/2"=1FT
ND: PE13862

CHG. D 05/29/2007 RUL
UPDATE #1 03/21/2007 BUS
DRAWN BY: RUL